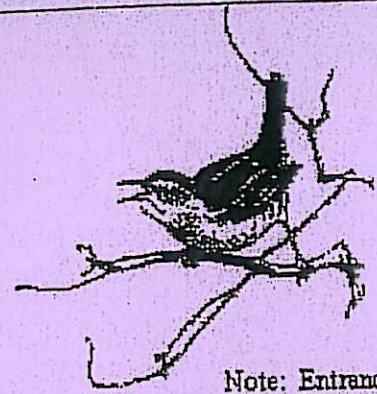
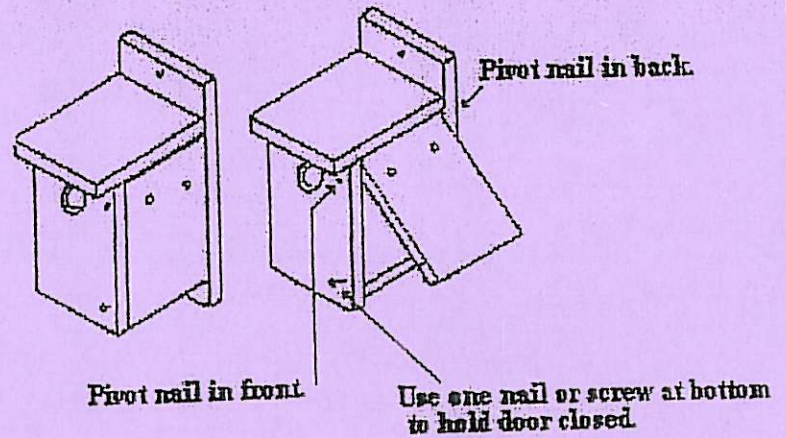
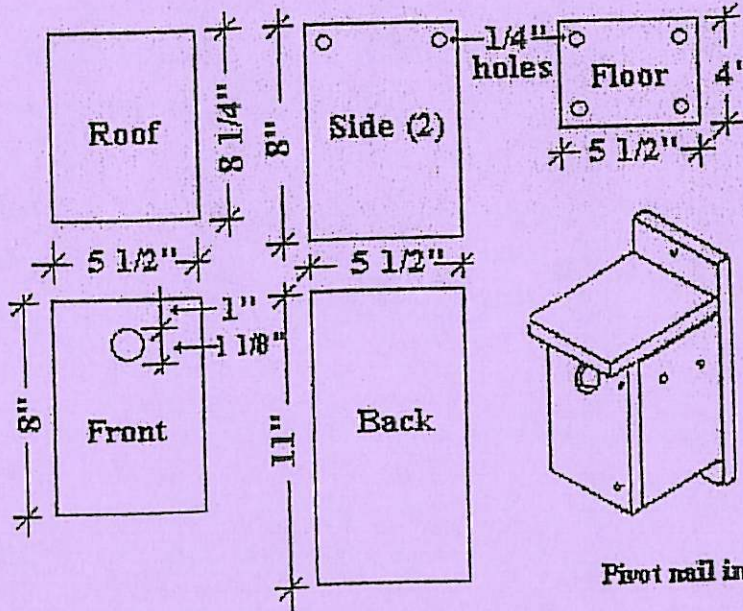


House Wren\*, Black-capped Chickadee\*,  
White-breasted Nuthatch

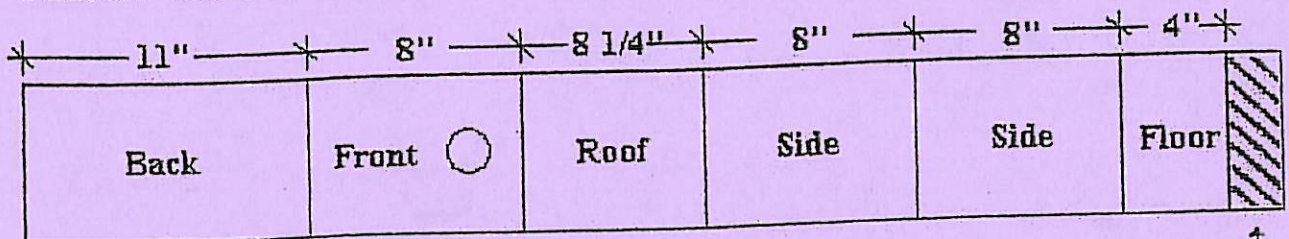


Note: Entrance hole diameter is  $1 \frac{1}{8}$ ".

(An entrance hole diameter of  $1 \frac{1}{4}$ " is needed for the white-breasted nuthatch.)



Lumber: One 1" x 6" x 4'0".



\*Please note that any birdhouse entrance  $1 \frac{1}{4}$  inches in diameter or larger will admit house sparrows! All wren and chickadee nest boxes should have an entrance hole of  $1 \frac{1}{8}$  inches in diameter.

↑ Save!