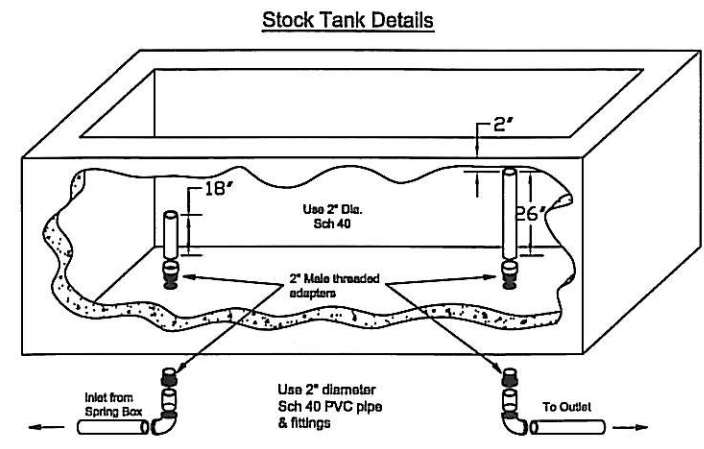
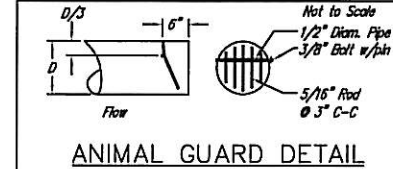


Note: The Diameter Of The Inlet Pipe Can Be Regulated To Adjust Flow Into Tank.



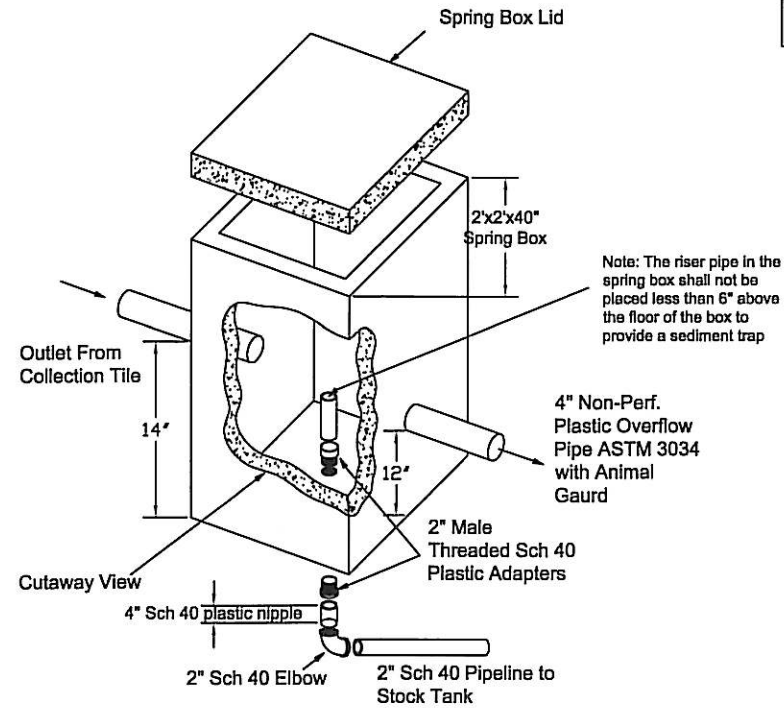
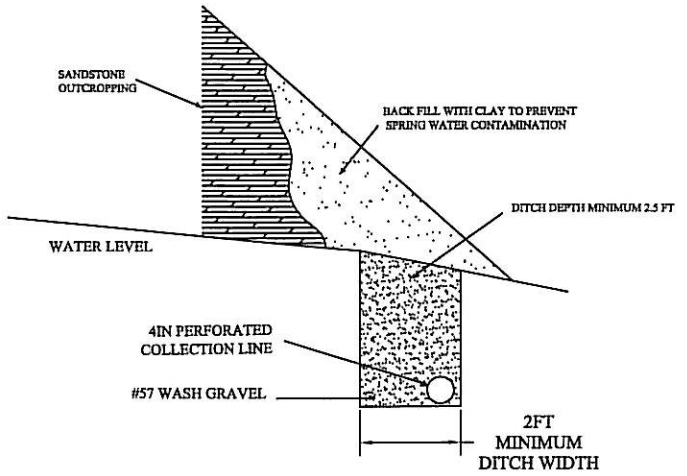
SPECIFICATIONS
 SPRING DEVELOPMENT SHALL BE INSTALLED ACCORDING TO ATTACHED OHIO NRCS CONSTRUCTION SPECIFICATIONS 516, 342, 574, AND 614.
 THE FOLLOWING MATERIALS MAY BE USED, MEETING THE FOLLOWING STANDARDS.
DELIVERY PIPE
 PVC - 2 IN. SHC 40, ASTH D-1785
 PE - 2 IN. ASTH D-2239
 PVC - 2 IN. ASTH D-2241
COLLECTION TUBING
 PLASTIC - 4 IN. ASTH 3034
 PLASTIC - 4 IN. ASTH F-405
 PVC - 4 IN. SCH 40
 SPRING BOX AND TANK SHALL BE OF DURABLE QUALITY MATERIAL.

NOTE TO EXCAVATOR
 EXCAVATOR MUST NOTIFY ALL UTILITIES AT LEAST 48 HOURS AND NOT MORE THAN 10 DAYS PRIOR TO THE PLANNED COMMENCEMENT OF EXCAVATION.
 1. MEMBER UTILITIES WILL BE CONTACTED BY CALLING DUPS (1-800-362-2764).
 2. EACH LIMITED BASIS PARTICIPANT WILL BE CONTACTED BY THE EXCAVATOR USING THE TELEPHONE NUMBER PROVIDED.

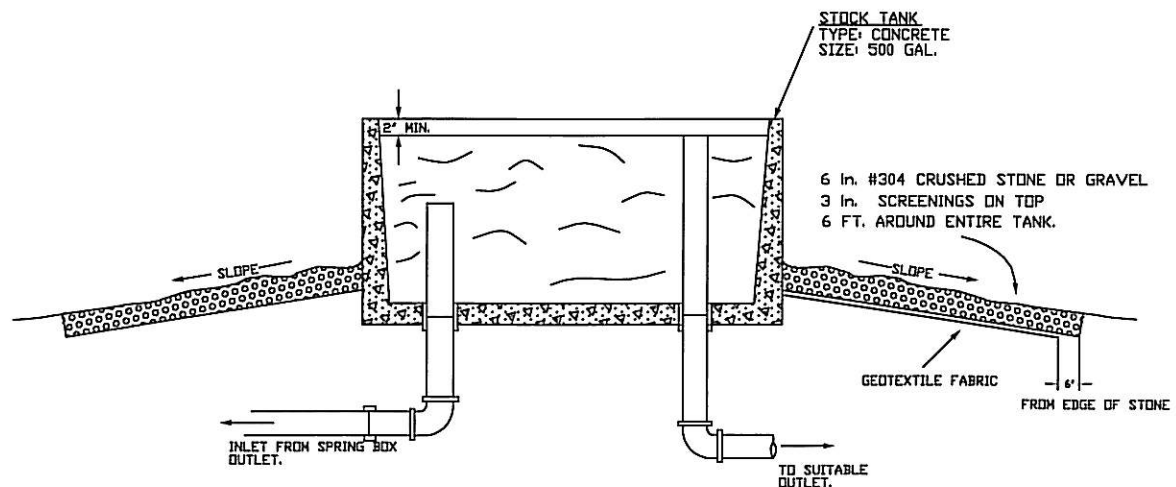
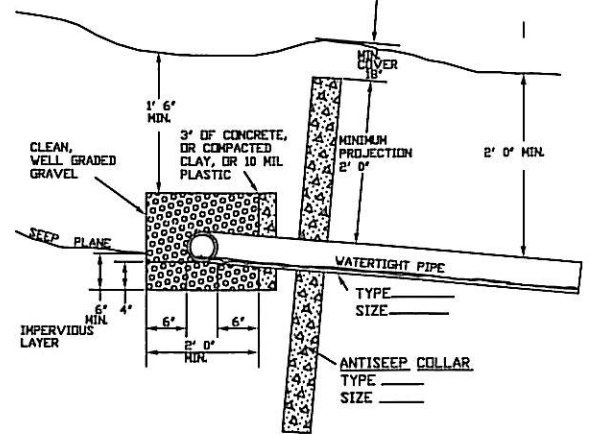


- CATCH BASIN COMPONENTS**
- 1 ea. Precast concrete 24"x24"x40" catch basin with lid.
 - 2 ea. Male threaded adapters 2" diameter (the male ends thread into the fitting molded into the bottom of the catch basin)
 - 1 ea. Nipple, Sch 40 PVC, 2" diameter, 6" length. This piece glues into the female end of the adapter listed above.
 - 1 ea. PVC elbow Sch 40, 2" diameter, Glue joint on both ends, one end glues to the nipple listed above. the other receives the 2" line to the tank.
 - 1 ea. Nipple, Sch 40 PVC, 2" diameter, 6" length. Riser pipe for inside the catch basin.
- Water Tank**
- 1 ea. Precast concrete Stock Tank, 4'x8'x34" with 2" galvanized (or brass) fittings molded into the tank bottom
 - 4 ea. Male threaded adapters 2" diameter (used the same as in the catch basin).
 - 2 ea. Nipple, Sch 40 PVC, 2" diameter, 4" length. (these nipples glue into the female end of the male threaded adapters in the bottom of the tank).
 - 3 ea. Elbows, Sch 40 PVC, 2" diameter, (both ends are female glue joint type, two of them glue onto the 4" nipples that extend from the bottom of the tanks inlet and outlet). On Frost Proof Tanks, the third elbow is glued to the 18" inlet standpipe placed in the tank in such a way as to allow the inlet water to circulate. A 6" nipple should added to the elbow to help in directing the water.
 - and
 - 1 ea. Nipple, Sch 40 PVC, 2" diameter x 18" length (inlet riser pipe).
 - 1 ea. Nipple, Sch 40 PVC, 2" diameter x 26" length (outlet riser pipe).
 - 1 ea. 4" animal guard (spring box outlet overflow).
- Feet 2" diameter plastic pipe (PVC).
- Feet 4" diameter plastic perforated pipe, ASTM-3034.
- Feet 4" diameter plastic non-perforated pipe, ASTM-3034.
- Each 4" diameter plastic end cap (PVC)
- 1 Pint PVC glue
 - 1 40 lb. bag of mortar to grout around pipe in spring box.
- Ton of #57 washed gravel.
- Vegetative Seeding: 0.1 acre**
 0.5 lb./ac. Ladino clover = 0.05 lb.
 8 lb./ac. Orchard grass = 0.8 lb.
 15 lb./ac. Perennial Ryegrass = 1.5 lb.
 333 lb./ac. 12-12-12 Fertilizer = 33 lb.
 4000 lb./ac. Ag. Lime = 400 lb.
 4000 lb./ac. Straw Mulch = 400 lb. (10 bale)

Collection Trench Detail #1



Collection Trench Detail #2



GEOTEXTILE FABRIC MINIMUM AVERAGE ROLL VALUES
 Minimum tensile strength (ASTM D 4632) - 120 lb.
 Elongation at failure (ASTM D 4632) - 50% for woven; 50% for non-woven
 Minimum burst strength (ASTM D 3786) - 210 psi
 Minimum puncture strength (ASTM D 4833) - 60 lb.
 Apparent opening size (ASTM D 4751) - #40 U.S. Standard sieve (AOS): #100 U.S. Standard Sieve <0.42mm>
 Permittivity (ASTM D 4491) - 0.03 sec, 0.70 sec
 Minimum ultraviolet light protection (% residual tensile strength, ASTM D 4355) - 70%

****CONSTRUCTION NOTES****

1. GROUND AROUND TANK SHALL BE GRADED TO DRAIN AWAY FROM THE TANK.
2. AFTER BEDDING PIPELINE UNDER TANK WITH FRIABLE MATERIAL TRENCH UNDER TANK SHALL BE BACKFILLED WITH GRAVEL OR HAND COMPACTED SOIL TO PREVENT SETTLING.
3. PIPELINE SHALL BE BACKFILLED WITH FRIABLE MATERIAL A MINIMUM OF 6 INCHES OVER PIPE
4. PIPELINE TRENCH SHALL BE CROWNED A MINIMUM OF 6 INCHES TO ACCOMMODATE SETTLING.
5. OVERLAP GEOTEXTILE FABRIC A MINIMUM OF 18" PRIOR TO APPLICATION OF CRUSH STONE.
6. THE MINIMUM SIZE PIPELINE SHALL BE 1 1/4 INCHES INSIDE DIAMETER FOR GRAVITY FLOW SYSTEMS. THE MINIMUM SIZE GRAVITY FLOW PIPELINE MAY BE USED WITHOUT FURTHER DESIGN CALCULATIONS WHEN ALL OF THE FOLLOWING CONDITIONS ARE MET.
 1. Pipe slope is not less than 1.0% along any section of the pipe.
 2. The total fall from the source to the point of use is greater than 1 ft per 100 ft of pipeline length.
 3. Water is being provided for wildlife or livestock only.
 4. the required capacity is less than 2 GPM.

Date	
Designed	
Drawn	
Checked	
Approved	

Ohio

Coshocton County



Job Class

Drawing No.

Sheet of