

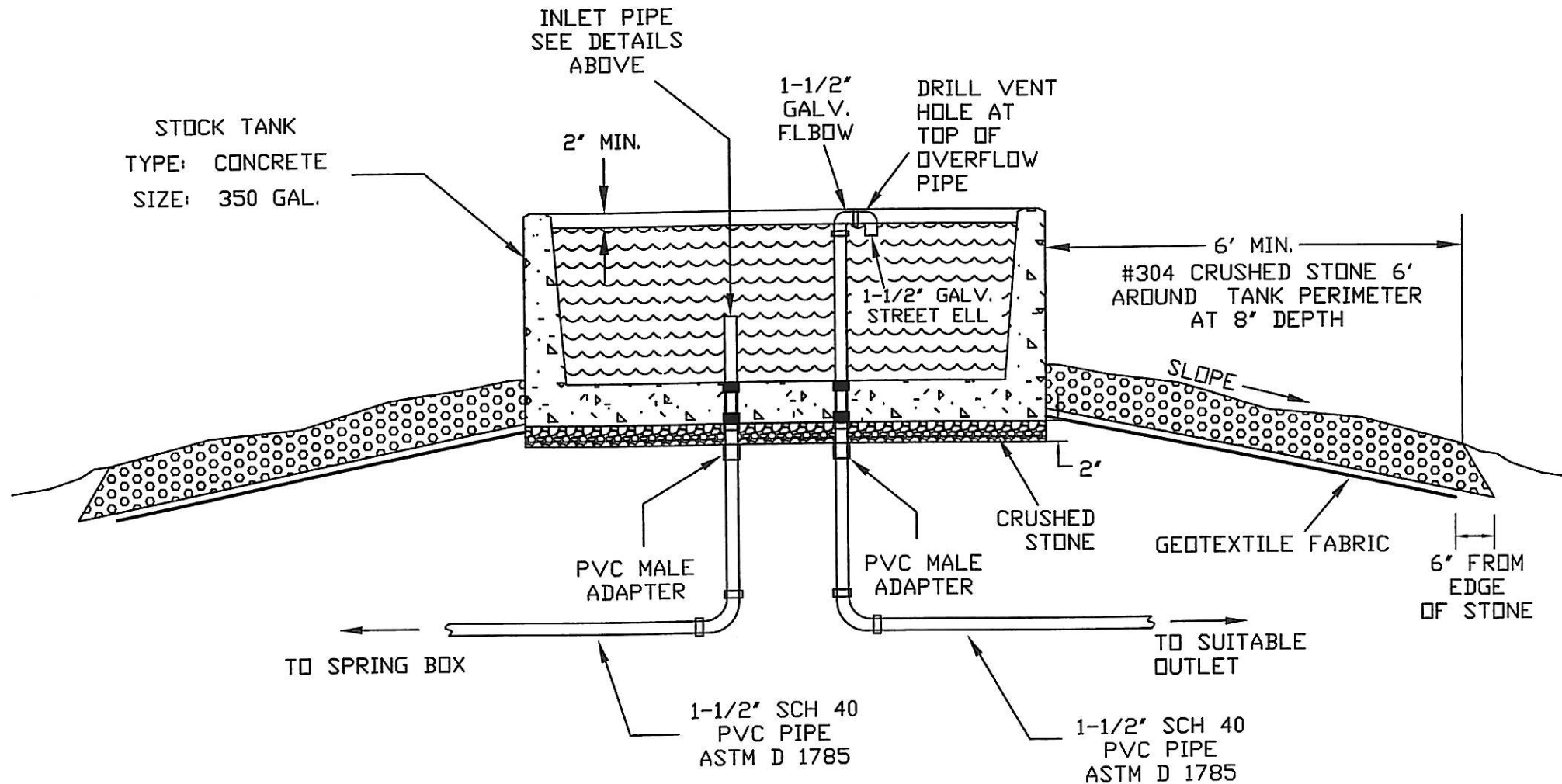
SPRING DEVELOPMENT  
INLET PIPE DETAILS

**\*\* CONSTRUCTION NOTES \*\***

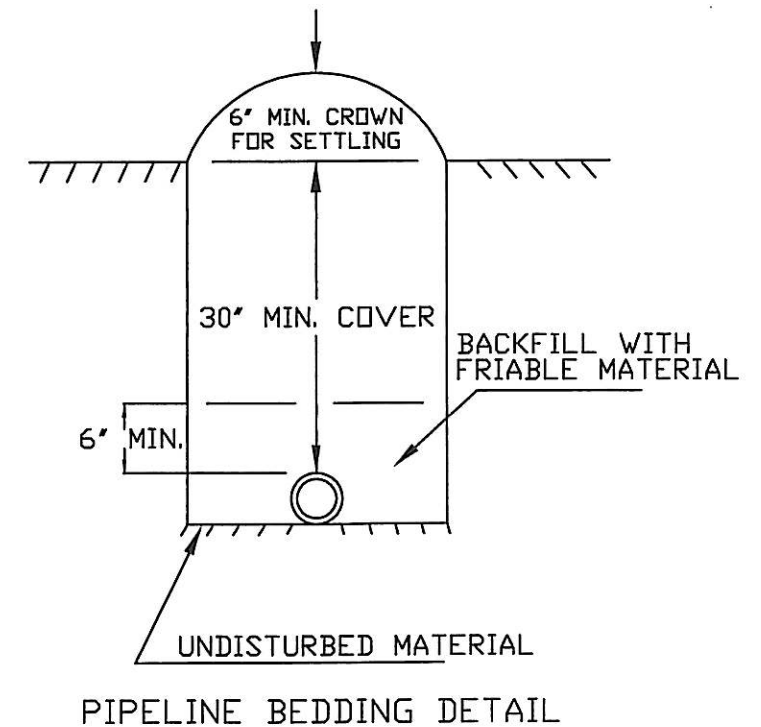
1. GROUND AROUND TANK SHALL BE GRADED TO DRAIN AWAY FROM THE TANK AND GRAVEL SHALL BE USED TO PROVIDE A FIRM FOOTING.
2. AFTER BEDDING PIPELINE UNDER TANK WITH FRIABLE MATERIAL TRENCH UNDER TANK SHALL BE BACKFILLED WITH GRAVEL OR HAND COMPACTED SOIL TO PREVENT SETTLING.
3. PIPELINE SHALL BE BACKFILLED WITH FRIABLE MATERIAL A MINIMUM OF 6 INCHES OVER PIPE.
4. PIPELINE TRENCH SHALL BE CROWNED A MINIMUM OF 6 INCHES TO ACCOMMODATE SETTLING.
5. PIPELINE SHALL BE PRESSURE TESTED AT WORKING PRESSURE FOR 2 HOUR MINIMUM TIME PERIOD BEFORE BACK FILLING TRENCH.
6. OVERLAP GEOTEXTILE FABRIC A MINIMUM OF 18' PRIOR TO APPLICATION OF CRUSHED STONE.

**GEOTEXTILE FABRIC MINIMUM AVERAGE ROLL VALUES (MARV) (592)**

Minimum tensile strength (ASTM D 4632) - 120 lb.  
 Elongation at failure (ASTM D 4632) - < 50% for woven; ≥ 50% for non-woven  
 Minimum burst strength (ASTM D 3786) - 210 psi  
 Minimum puncture strength (ASTM D 4833) - 60 lb.  
 Apparent opening size (ASTM D 4751) - ≤ #40 U.S. Standard Sieve (ADS) ≥ #100 U.S. Standard Sieve (≤ 0.42 mm (ADS) ≥ 0.149 mm)  
 Permittivity (ASTM D 4491) - ≥ 0.03 sec<sup>-1</sup>, ≤ 0.70 sec<sup>-1</sup>  
 Minimum ultraviolet light protection (% residual tensile strength, ASTM D 4355) - 70%



STOCK TANK DETAILS



PIPELINE BEDDING DETAIL

NOT TO SCALE

Date	
Designed	
Drawn	
Checked	
Approved	

LANDOWNER  
PRACTICE  
SHEET DESCRIPTION  
SEC. NO TOWNSHIP COUNTY OHIO



File No.	
Drawing No.	
Sheet 1 of 3	